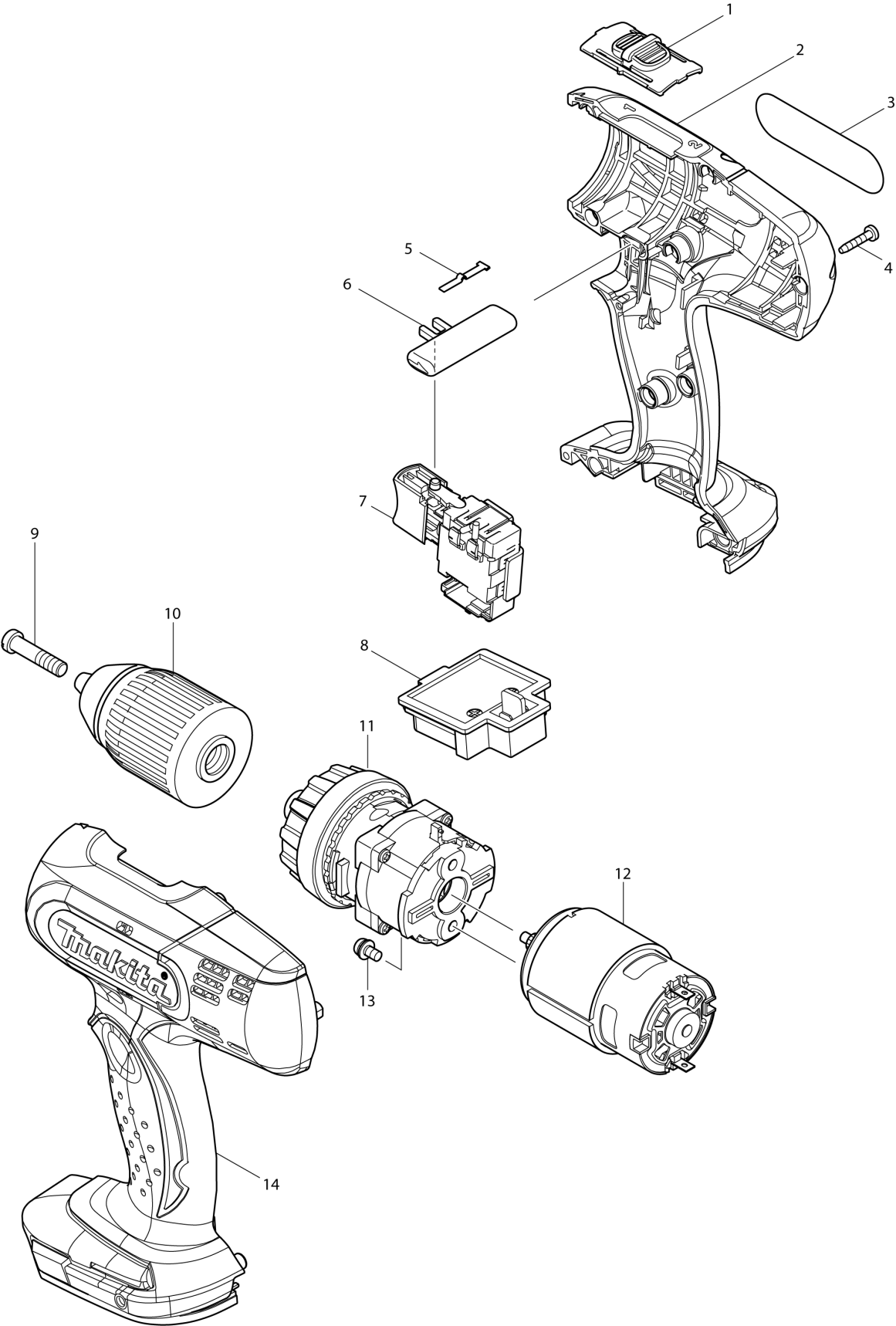


(VN) DDF453 / CORDLESS DRIVER DRILL 13MM



VN	VIETNAM
-----------	----------------

DDF453 / CORDLESS DRIVER DRILL 13MM

Item	Sub	Parts No.	Parts Description	Qty	I/C	E/C No.	Close No.	Remark
001		125310-5	SPEED CHANGE LEVER ASS'Y	1				
	C10	231433-0	COMPRESSION SPRING 4	2				
002		187363-2	HOUSING SET	1				
	D10		INC. 14					
003		815G82-9	DDF453 NAME PLATE	1				
004		266130-9	TAPPING SCREW BIND PT 3X16	9				
005		232182-2	LEAF SPRING	1				
006		419250-0	F/R CHANGE LEVER	1				
007		632A24-0	SWITCH UNIT	1				
008		643852-2	TERMINAL	1				
009		251468-5	- FLAT HEAD SCREW M6X22	1				
010		766004-9	KEYLESS DRILL CHUCK 13	1				
011B		125483-4	GEAR ASS'Y	1			A7840	
011C		125483-4	GEAR ASS'Y	1			A7840	
011-1B		125483-4	GEAR ASS'Y	1	O	A7840		
011-1C		125483-4	GEAR ASS'Y	1	O	A7840		
011-1D		125483-4	GEAR ASS'Y	1				
011-1E		125483-4	GEAR ASS'Y	1				
011-1H		125483-4	GEAR ASS'Y	1				
012		629834-8	DC MOTOR	1				
013		911108-4	PAN HEAD SCREW M4X8	2				
014		187363-2	HOUSING SET	1				
	D10		INC. 2					
A01		784636-0	+/- BIT 2-65	1				
A02B		***DC18SD	DC18SD BATTERY CHARGER	1				
A02C		***DC18SD	DC18SD BATTERY CHARGER	1				
A02D		***DC18SD	DC18SD BATTERY CHARGER	1				
A02H		***DC18SD	DC18SD BATTERY CHARGER	1				
A03B		194513-2	BATTERY BL1815 SET	2				
A03C		196235-0	BATTERY BL1815N SET	2				
A03-1D		194204-5	BATTERY BL1830 SET	1			B2535	
A03-2D		197600-6	BATTERY BL1830B SET	1	<	B2535	C4176	
A03-2H		197600-6	BATTERY BL1830B SET	1			C4176	
A03-3D		197600-6	BATTERY BL1830B SET	1	O	C4176		
A03-3H		197600-6	BATTERY BL1830B SET	1	O	C4176		
A04B		450128-8	BATTERY COVER	1				
A04C		450128-8	BATTERY COVER	1				
A04H		450128-8	BATTERY COVER	1				
A05B		158777-2	PLASTIC CARRYING CASE	1				
	C10	163455-1	LATCH	2				
	C20	419360-3	HANDLE	1				
A05C		158777-2	PLASTIC CARRYING CASE	1				
	C10	163455-1	LATCH	2				
	C20	419360-3	HANDLE	1				
A05D		158777-2	PLASTIC CARRYING CASE	1				
	C10	163455-1	LATCH	2				
	C20	419360-3	HANDLE	1				
E01		163400-6	HANDSTRAP	1		DB968		

B:DDF453SHE(H)
 C:DDF453SXE(H)
 D:DDF453SF(H)
 E:DDF453Z(N)
 H:DDF453SF7(H)

Interchange
 O : Yes
 X : No
 < : the new part can be substituted for the current.
 > : the current part can be substituted for the new.
 S : Interchangeable as a set.